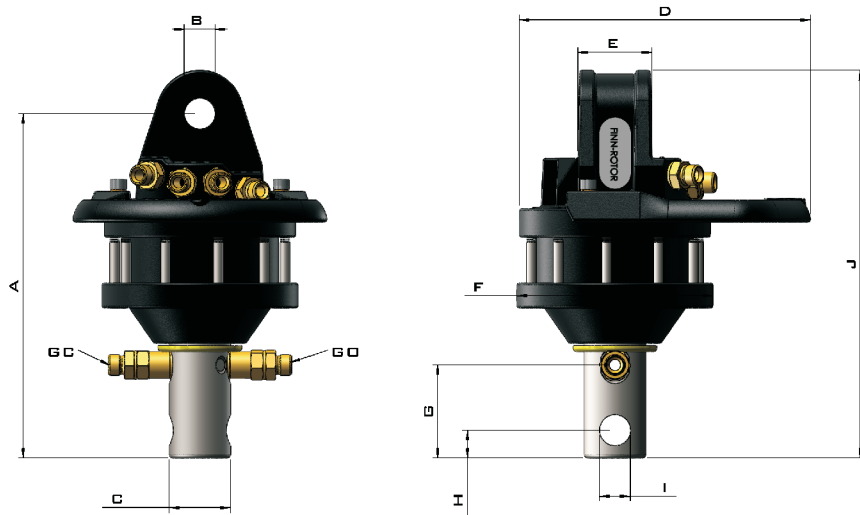


# DIMENSIONS

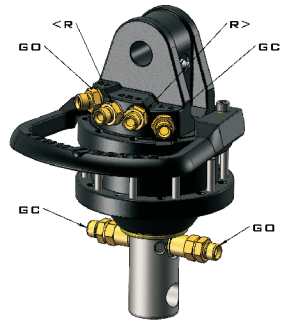


CR 100		CR 300		CR 310		CR 320		
MM	IN	MM	IN	MM	IN	MM	IN	
A	238,5	9,390	277,5	10,925	285	11,220	285	11,220
B	25	0,984	25	0,984	25	0,984	25	0,984
C	39,5	1,555	49,5	1,949	49,5	1,949	49,5	1,949
D	194	7,638	239	9,409	240	9,449	239	9,409
E	45	1,772	60	2,362	60	2,362	60	2,362
F	137	5,394	158	6,220	158	6,220	158	6,220
G	59	2,323	75	2,953	75	2,923	75	2,953
H	19	0,748	22,5	0,886	22,5	0,886	22,5	0,886
I	20	0,787	25	0,948	25	0,984	25	0,984
J	268,5	10,571	312,5	12,303	316	12,441	316	12,441

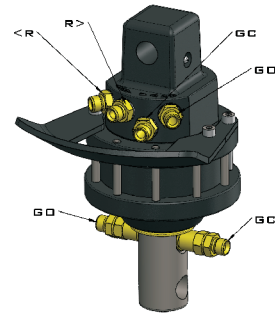
  

CR 400		CR 410		CR 500		
MM	IN	MM	IN	MM	IN	
A	301	11,850	317	12,480	311	12,244
B	25	0,984	25	0,984	30	1,181
C	59	2,323	59	2,323	69	2,717
D	240	9,449	258	10,157	266	10,472
E	73	2,874	73	2,874	73	2,874
F	172	6,772	172	6,772	184	7,244
G	84	3,307	84	3,307	91,5	3,602
H	28	1,102	28	1,102	32	1,260
I	30	1,181	30	1,181	30	1,181
J	341	13,425	347	13,661	351	13,819

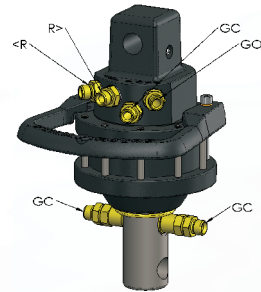
CR100/300/400/500



CR310/410



CR320



\* GO CHANNEL MARKED BY "O"



ENGLISH CR A ROTATORS

	CR 100		CR 300		CR 400		CR 500	
	UNLIMITED		UNLIMITED		UNLIMITED		UNLIMITED	
ROTATION ANGLE								
MAX PRES (R) [BAR/PSI]	250	3625	250	3625	250	3625	250	3625
MAX PRES (GO) [BAR/PSI]	200	2900	200	2900	200	2900	200	2900
MAX PRES (GC) [BAR/PSI]	300	4350	300	4350	300	4350	300	4350
DISPLACEMENT [CM <sup>3</sup> /IN <sup>3</sup> ]	139	11,58	330	19,8	420	25,2	465	27,9
TORQUE [NM/LBF IN]	450	332	900	664	1100	811	1400	1033
MAX AXIAL LOAD STAT [KN/LBF]	10	2248	30	6744	40	8992	55	12365
MAX AXIAL LOAD DYN [KN/LBF]	5	1124	15	3372	20	4496	25	5620
WEIGHT [KG/LB]	10	22	17	37,4	23	50,6	28	61,6
(310/410) [KG/LB]			16	35,2	22	48,4		
CONNECTIONS	G1/4"	G1/4"	G3/8"	G3/8"	G3/8"	G3/8"	G3/8"	G3/8"
REC. OIL FLOW [LPM/GPM]	10	2,642	20	5,284	20	5,284	20	5,284

# DATA

ENGLISH

# CR A ROTATORS



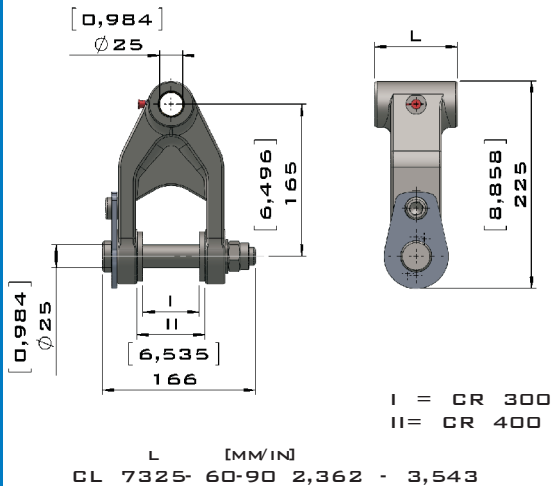
A LIGHT-WEIGHT AND EFFECTIVE HYDRAULIC ROTATORS WITH UNLIMITED ROTATION FOR ATV, AGRICULTURAL AND CARGO CRANES.

CHOOSE GENUINE **FINN ROTOR** ORIGINAL ACCESSORIES TO ENSURE SMOOTH WORKING. FROM THE WIDE VARIETY, YOU WILL FIND ALL NECESSARY ACCESSORIES. LINKS, BRAKELINKS, FLANGES AND HOUSINGS.

*and get Your crane moving!*

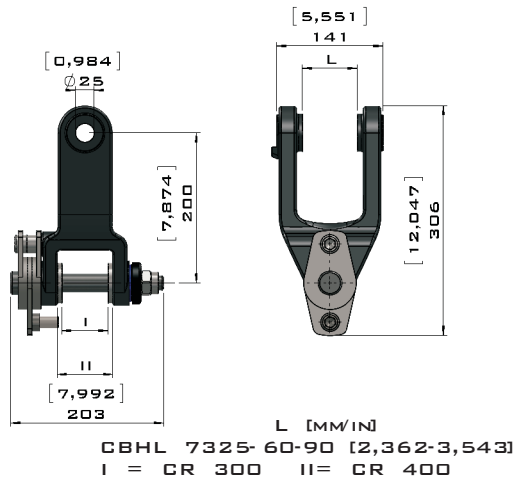
# CL LINKS

CL - LINK



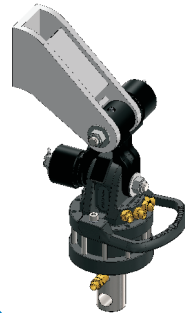
# CBHL LINK

CBHL - SINGLE BRAKING LINK



# SD LINK

SD -DOUBLE BRAKING LINK



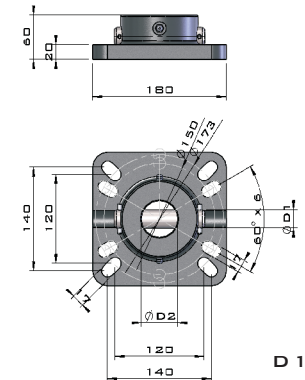
SD BOTH DIRECTION BRAKING LINK FOR PROFESSIONAL USE. AVAILABLE FOR EVERY BOOM HEAD DIMENSIONS AND CR ROTATORS.

ALSO WELDING BOOM HEAD IS AVAILABLE.

# SD LINK

# BM FLANG

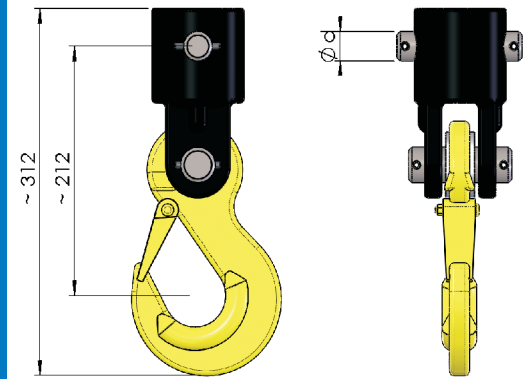
BM -FLANGES



				D 1	D 2
00893	BM FLANGE	CR 300	25	49,5	
00896	BM FLANGE	CR 400	30	59	
00889	BM FLANGE	CR 500	30	69	

# LH HOOKS

LH -LIFTING HOOKS



				D
00899	LIFTING HOOK	CR 300	25	
0 135 1	LIFTING HOOK	CR 400	30	
0 1579	LIFTING HOOK	CR 500	30	

# CONTACT



FINN-ROTOR OY

WWW.FINN-ROTOR.RU

Tel: +7 (499) 755 - 61 - 34

e-mail: info@finn-rotor.ru