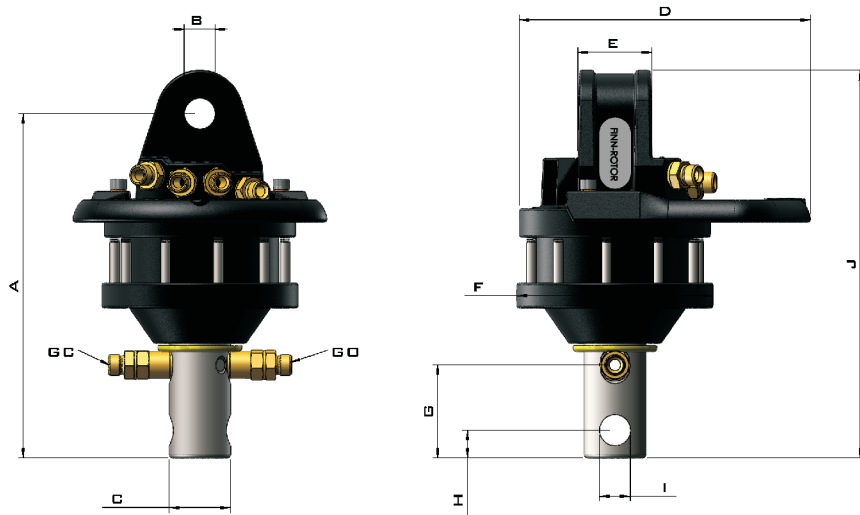


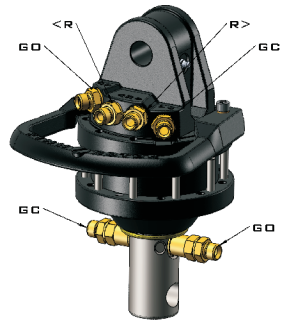
DIMENSIONS



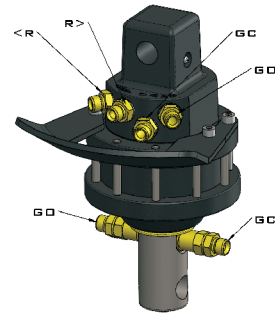
CR 100		CR 300		CR 310		CR 320		
MM	IN	MM	IN	MM	IN	MM	IN	
A	238,5	9,390	277,5	10,925	285	11,220	285	11,220
B	25	0,984	25	0,984	25	0,984	25	0,984
C	39,5	1,555	49,5	1,949	49,5	1,949	49,5	1,949
D	194	7,638	239	9,409	240	9,449	239	9,409
E	45	1,772	60	2,362	60	2,362	60	2,362
F	137	5,394	158	6,220	158	6,220	158	6,220
G	59	2,323	75	2,953	75	2,923	75	2,953
H	19	0,748	22,5	0,886	22,5	0,886	22,5	0,886
I	20	0,787	25	0,948	25	0,984	25	0,984
J	268,5	10,571	312,5	12,303	316	12,441	316	12,441

CR 400		CR 410		CR 500		
MM	IN	MM	IN	MM	IN	
A	301	11,850	317	12,480	311	12,244
B	25	0,984	25	0,984	30	1,181
C	59	2,323	59	2,323	69	2,717
D	240	9,449	258	10,157	266	10,472
E	73	2,874	73	2,874	73	2,874
F	172	6,772	172	6,772	184	7,244
G	84	3,307	84	3,307	91,5	3,602
H	28	1,102	28	1,102	32	1,260
I	30	1,181	30	1,181	30	1,181
J	341	13,425	347	13,661	351	13,819

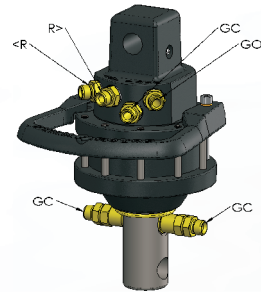
CR100/300/400/500



CR310/410



CR320



* GO CHANNEL MARKED BY "O"



ENGLISH CR A ROTATORS

	CR 100		CR 300		CR 400		CR 500	
	UNLIMITED		UNLIMITED		UNLIMITED		UNLIMITED	
ROTATION ANGLE								
MAX PRES (R) [BAR/PSI]	250	3625	250	3625	250	3625	250	3625
MAX PRES (GO) [BAR/PSI]	200	2900	200	2900	200	2900	200	2900
MAX PRES (GC) [BAR/PSI]	300	4350	300	4350	300	4350	300	4350
DISPLACEMENT [CM ³ /IN ³]	139	11,58	330	19,8	420	25,2	465	27,9
TORQUE [NM/LBF IN]	450	332	900	664	1100	811	1400	1033
MAX AXIAL LOAD STAT [KN/LBF]	10	2248	30	6744	40	8992	55	12365
MAX AXIAL LOAD DYN [KN/LBF]	5	1124	15	3372	20	4496	25	5620
WEIGHT [KG/LB]	10	22	17	37,4	23	50,6	28	61,6
(310/410) [KG/LB]			16	35,2	22	48,4		
CONNECTIONS	G1/4"	G1/4"	G3/8"	G3/8"	G3/8"	G3/8"	G3/8"	G3/8"
REC. OIL FLOW [LPM/GPM]	10	2,642	20	5,284	20	5,284	20	5,284

DATA

ENGLISH

CR A ROTATORS



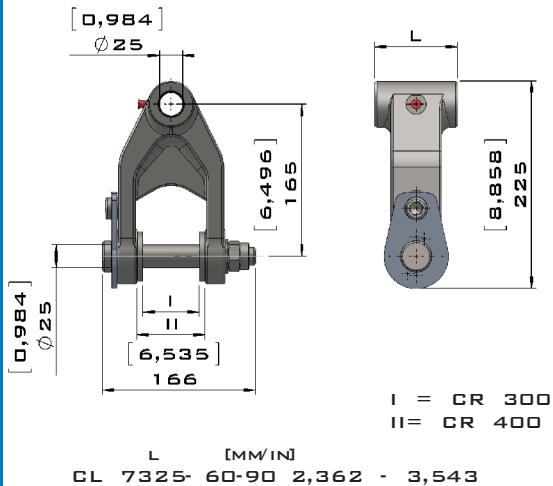
A LIGHT-WEIGHT AND EFFECTIVE HYDRAULIC ROTATORS WITH UNLIMITED ROTATION FOR ATV, AGRICULTURAL AND CARGO CRANES.

CHOOSE GENUINE **FINN ROTOR** ORIGINAL ACCESSORIES TO ENSURE SMOOTH WORKING. FROM THE WIDE VARIETY, YOU WILL FIND ALL NECESSARY ACCESSORIES. LINKS, BRAKELINKS, FLANGES AND HOUSINGS.

and get Your crane moving!

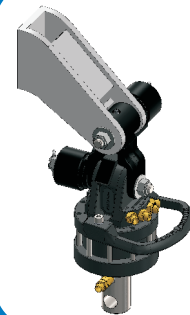
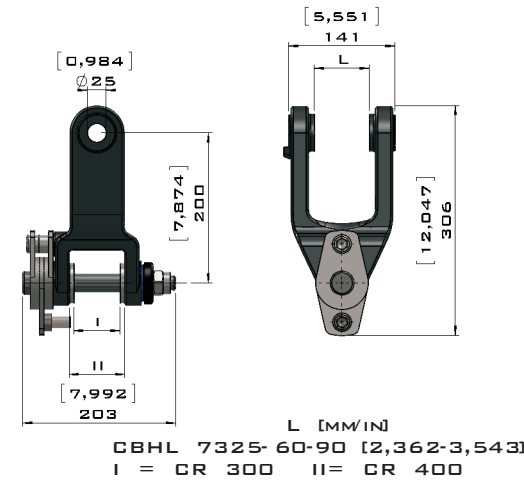
CL LINKS

CL - LINK



CBHL LINK

CBHL - SINGLE BRAKING LINK



SD -DOUBLE BRAKING LINK

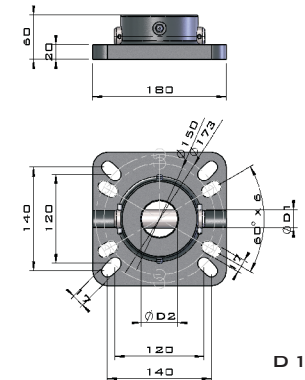
SD BOTH DIRECTION BRAKING LINK FOR PROFESSIONAL USE. AVAILABLE FOR EVERY BOOM HEAD DIMENSIONS AND CR ROTATORS.

ALSO WELDING BOOM HEAD IS AVAILABLE.

SD LINK

BM FLANG

BM -FLANGES

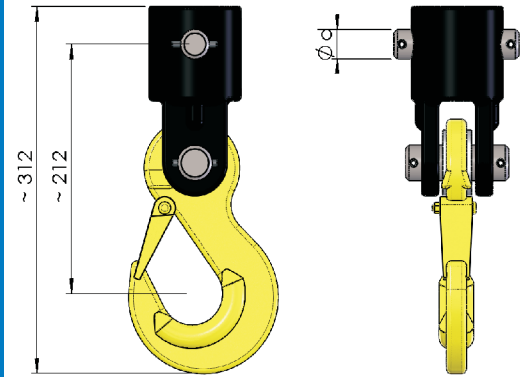


				D 1	D 2
00893	BM FLANGE	CR 300	25	49,5	
00896	BM FLANGE	CR 400	30	59	
00889	BM FLANGE	CR 500	30	69	

				D
00899	LIFTING HOOK	CR 300	25	
0 135 1	LIFTING HOOK	CR 400	30	
0 1579	LIFTING HOOK	CR 500	30	

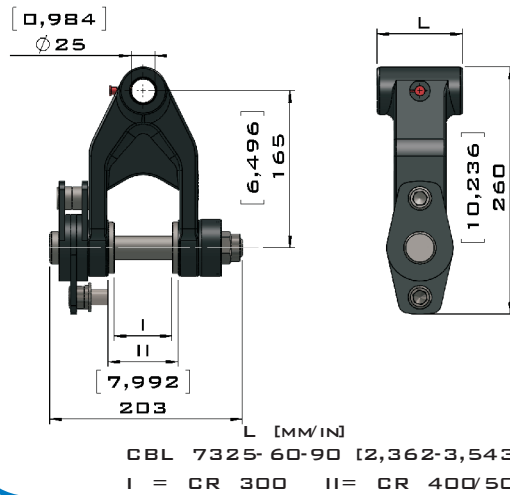
LH HOOKS

LH -LIFTING HOOKS



CBL LINK

CBL - SINGLE BRAKING LINK



FINN-ROTOR OY

WWW.FINN-ROTOR.RU

TEA: +7 (495) 787-0 1-89

E-MAIL: INFO@FINN-ROTOR.RU

CONTACT